



# Cat<sup>®</sup> M315D2

## WHEEL EXCAVATOR

### FEATURES:

- **Engine** – Emits at levels equivalent to U.S. EPA Tier III and EU Stage IIIA emission standard. The C4.4 offers increased performance and reliability while reducing fuel consumption and sound levels.
- **Environmentally Responsible Design** – Helping to protect our environment, the engine has low operator and spectator sound levels, longer filter change intervals and is more fuel-efficient.
- **Hydraulics** – The state of the art load-sensing hydraulic system combined with a separate dedicated swing pump provides fast cycle times, increased lift capacity and high bucket and stick forces. This combination maximizes your productivity in any job.
- **Serviceability** – For increased safety, all daily maintenance points are accessible from ground level. A centralized greasing system allows lubrication of critical points.
- **Operator Comfort** – The operator station maximizes comfort while increasing safety. Safety is enhanced by the new color monitor and standard rear-mounted camera.

## Specifications

### Engine

Engine Model	Cat <sup>®</sup> C4.4 with ACERT™ Technology
Ratings	2,000 rpm
Gross Power	102 kW (139 hp)
Net Power	
ISO 9249	95 kW (129 hp)
80/1269/EEC	95 kW (129 hp)
Bore	105 mm
Stroke	127 mm
Displacement	4.4 L
Cylinders	4
Maximum Torque at 1,400 rpm	550 N·m

- All engine horsepower (hp) are metric.
- Emits at levels equivalent to U.S. EPA Tier III and EU Stage IIIA emission standard.
- Full engine net power up to 3000 m altitude.

### Hydraulic System

Tank Capacity	95 L
System	180 L
Maximum Pressure	
Implement Circuit	
Normal	350 bar
Heavy Lift	375 bar
Travel Circuit	350 bar
Auxiliary Circuit	
High Pressure	350 bar
Medium Pressure	185 bar
Swing Mechanism	350 bar
Maximum Flow	
Implement/Travel Circuit	190 L/min
Auxiliary Circuit	
High Pressure	190 L/min
Medium Pressure	40 L/min
Swing Mechanism	80 L/min

### Weights

VA Boom*	
Rear Dozer Only	13 800 kg
Front Blade, Rear Outriggers	14 750 kg
One-Piece Boom*	
Rear Dozer Only	13 500 kg
Front Blade, Rear Outriggers	14 450 kg
Sticks	
Short (2000 mm)	370 kg
Medium (2300 mm)	390 kg
Dozer Blade	750 kg
Outriggers	960 kg
Counterweight	
Standard	2900 kg
Optional	3300 kg

\* Machine weight with medium stick, 3300 kg counterweight, with operator and full fuel tank, without work tool. Weight varies depending on configuration.

# M315D2 Wheel Excavator

## Transmission

Forward/Reverse	
1st Gear	9 km/h
2nd Gear	37 km/h
Creeper Speed	
1st Gear	3 km/h
2nd Gear	13 km/h
Drawbar Pull	76 kN
Maximum Gradeability	58%

## Swing Mechanism

Swing Speed	10.5 rpm
Swing Torque	35 kN-m

## Tires

- Standard
- 10.00-20 (dual pneumatic)

## Sound Levels

### Exterior Sound

- The labeled spectator sound power level measured according to the test procedures and conditions specified in 2000/14/EC is 102 dB(A).

## Undercarriage

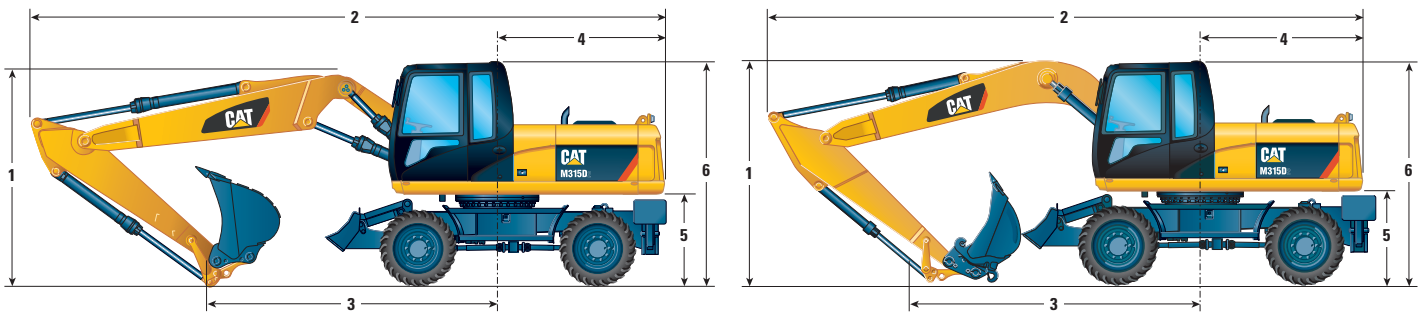
Ground Clearance	370 mm
Maximum Steering Angle	35°
Oscillation Axle Angle	± 9°
Minimum Turning Radius	
Outside of Tire	6200 mm
End of VA Boom	6700 mm
End of One-Piece Boom	8100 mm

## Service Refill Capacities

Fuel Tank	235 L
Cooling	31 L
Engine Crankcase	8 L
Rear Axle Housing (differential)	11.2 L
Front Steering Axle (differential)	9 L
Final Drive	2.4 L
Powershift Transmission	2.5 L

## Cab/FOGS

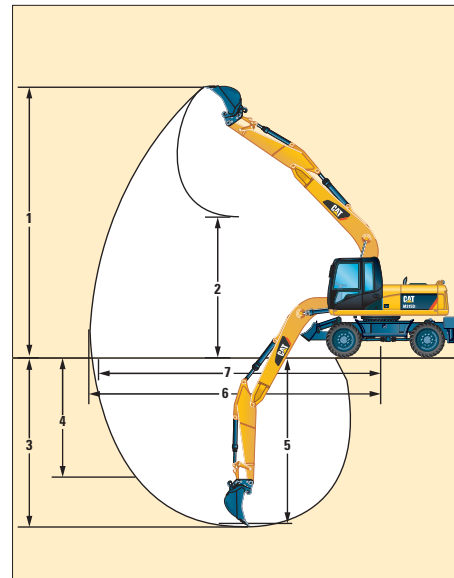
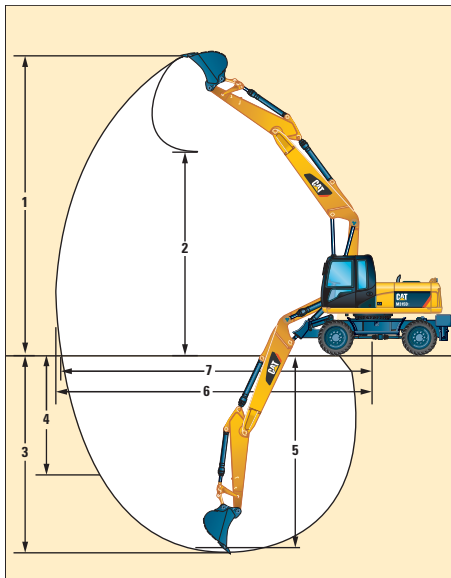
- Cab with Falling Object Guard Structure (FOGS) meets ISO 10262.



## Dimensions (All dimensions are approximate.)

	mm	VA Boom		One-Piece Boom	
		2000	2300	2000	2300
Stick Length	mm				
1 Shipping Height	mm	3120	3120	3120	3120
2 Shipping Length	mm	8310	8300	8090	8080
3 Support Point	mm	3820	3470	3480	3120
4 Tail Swing Radius	mm	2060		2060	
5 Counterweight Clearance	mm	1230		1230	
6 Cab Height	mm	3120		3120	

## Working Ranges



		VA Boom		One-Piece Boom	
		2000	2300	2000	2300
Stick Length	mm	<b>2000</b>	<b>2300</b>	<b>2000</b>	<b>2300</b>
<b>1</b> Digging Height	mm	9670	9820	8600	8620
<b>2</b> Dump Height	mm	6900	7060	5910	5970
<b>3</b> Digging Depth	mm	5160	5450	4990	5290
<b>4</b> Vertical Wall Digging Depth	mm	3500	3600	3410	3370
<b>5</b> Depth 2.5 m Straight Clean-Up	mm	4920	5230	4750	5070
<b>6</b> Reach	mm	8670	8920	8420	8660
<b>7</b> Reach at Ground Level	mm	8490	8740	8230	8480
Bucket Forces (ISO 6015)	kN	93	93	93	93
Stick Forces (ISO 6015)	kN	73	67	73	67

Values 1-7 are calculated with bucket and quick coupler with a tip radius of 1400 mm.

Breakout force values are calculated with heavy lift on (no quick coupler) and a tip radius of 1236 mm.

# M315D2 Wheel Excavator

## STANDARD EQUIPMENT

### ELECTRICAL

- Alternator, 75 A
- Lights
  - Boom working light
  - Cab interior light
  - Rooding lights (front/rear)
  - Working lights, cab mounted (front and rear)
- Main shut-off switch
- Heavy-duty maintenance free batteries
- Signal/warning horn

### ENGINE

- Automatic engine speed control
- Automatic starting aid
- Cat C4.4 with ACERT Technology emits at levels equivalent to U.S. EPA Tier III and EU Stage IIIA emission standard
- Fuel/water separator with level indicator

### HYDRAULICS

- Heavy lift mode
- Load-sensing Plus hydraulic system
- Manual work modes (economy, power)
- Separate swing pump
- Stick regeneration circuit

### OPERATOR STATION

- Adjustable armrests
- Air conditioner, heater and defroster with automatic climate control
- Ash tray with cigarette lighter (24 volt)
- Beverage cup/can and bottle holder
- Bolt-on FOGS capability
- Bottom mounted parallel wiping system
- Camera mounted on counterweight
- Coat hook
- Floor mat, washable
- Fully adjustable suspension seat
- Instrument panel and gauges
  - Information and warning messages
  - Gauges for fuel level, engine coolant and hydraulic oil temperature
  - Filters/fluids change interval
  - Indicators for headlights, turning signal, low fuel, engine dial setting
  - Clock with 10-day backup battery
- Laminated front windshield
- Left side console, tiltable, with lock out for all controls
- Literature compartment behind seat
- Literature holder in right console
- Mobile phone holder

### OPERATOR STATION (cont'd)

- Parking brake
- Positive filtered ventilation
- Power supply, 12V-7A
- Rear window, emergency exit
- Retractable seat belt
- Skylight
- Sliding door windows
- Steering column, tiltable
- Storage area suitable for a lunch box
- Sunshade for windshield and skylight
- Travel speed lock
- Visor for rain protection

### UNDERCARRIAGE

- Heavy-duty axles, adjustable braking force
- Oscillating front axle with remote greasing
- Tires, 10.00-20 16 PR, dual
- Two tool boxes in undercarriage
- Two-piece drive shaft

### OTHER EQUIPMENT

- Automatic swing brake
- Counterweight, 2900 kg
- Mirrors, frame and cab
- Product Link™ ready
- Tool box in upperframe, lockable

## KEY OPTIONAL EQUIPMENT

### AUXILIARY CONTROLS AND LINES

- Auxiliary boom and stick lines
- Basic control circuits:
  - Medium pressure
  - Hammer only (one way HPPF)
  - Tool control/multi function, HP, programmable for up to 10 work tools
  - Quick coupler control
- SmartBoom™

### FRONT LINKAGE

- Booms
  - One-piece boom, 4815 mm
  - VA boom (two piece), 5020 mm
- Sticks (2000 mm or 2300 mm)

### ELECTRICAL

- Back-up alarm with three selectable modes
- Rotating beacon
- Refueling pump

### OPERATOR STATION

- Falling objects guard
- Joystick steering
- CD/MP3 Radio (12V)
- Seat, adjustable high-back
  - mechanical suspension
  - air suspension (vertical)
- 70/30 windshield

### UNDERCARRIAGE

- Dozer blade, front or rear mounted
- Outriggers, rear mounted
- Spacer rings and tires

### OTHER EQUIPMENT

- Cat Machine Security System
- Cat Product Link
- Counterweight, 3300 kg
- Ride Control

For more complete information on Cat products, dealer services, and industry solutions, visit us on the web at [www.cat.com](http://www.cat.com)

AEHQ7141 (09-13)

© 2013 Caterpillar Inc.  
All Rights Reserved  
Printed in U.S.A.

Materials and specifications are subject to change without notice. Featured machines in photos may include additional equipment. See your Cat dealer for available options.

CAT, CATERPILLAR, SAFETY.CAT.COM, their respective logos, "Caterpillar Yellow" and the "Power Edge" trade dress, as well as corporate and product identity used herein, are trademarks of Caterpillar and may not be used without permission.

